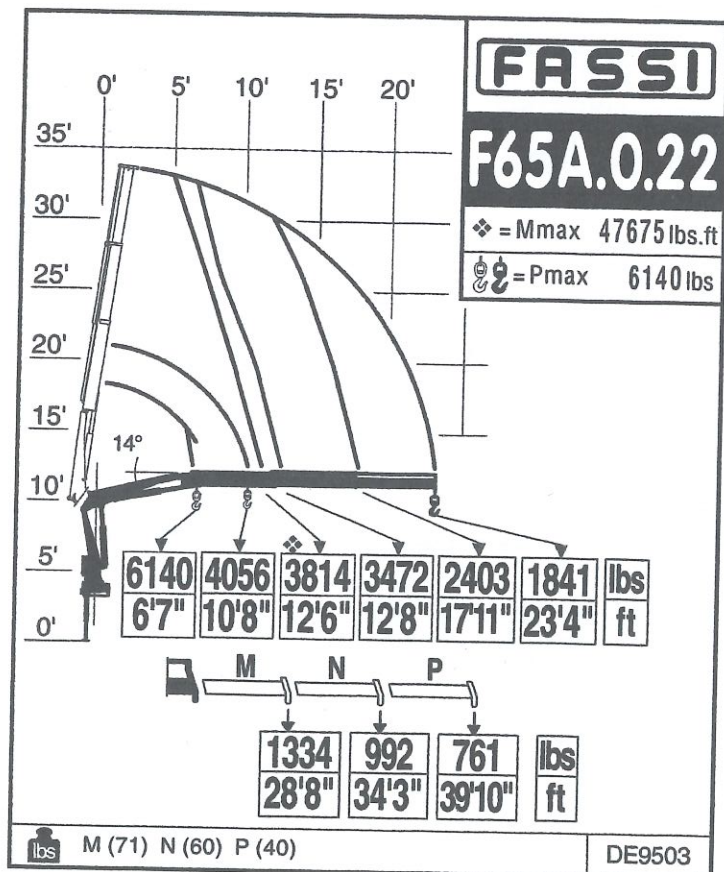
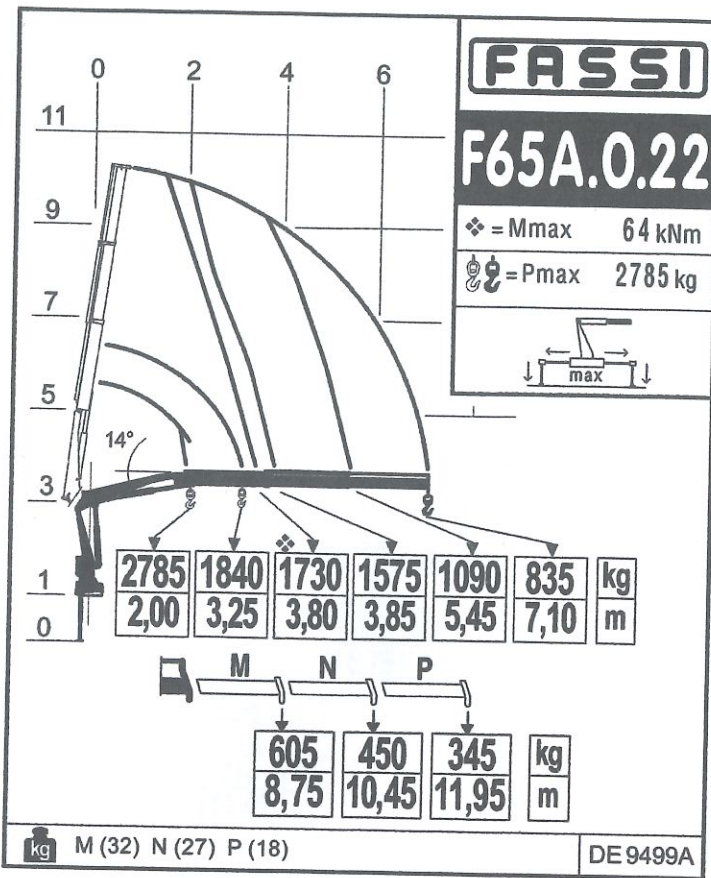


A.4.2 - Gru base - Standard crane - Standardkran - Grue standard - Grúa base



Via Roma, 110
14021 Albino (BG)
Tel.: +39 035 776400
Fax: +39 035 755020
www.fassi.com
fassi@fassi.com

LOAD DIAGRAM HYDRAULIC EXTENSIONS WITH LIFTING MOMENT LIMITING DEVICE

